
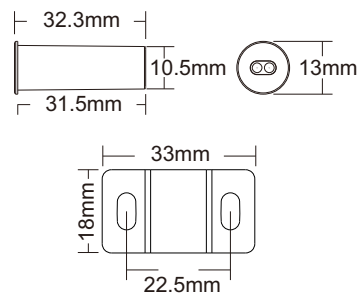
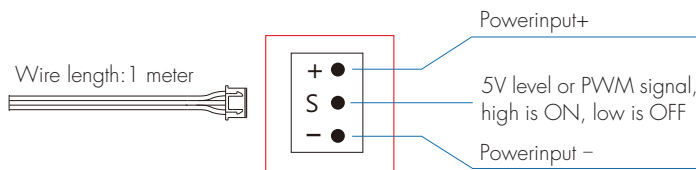


Model	Product name	Product picture	Size	Sensor data
EB(C)	Hand sweep sensing head		 <p>EB(C) dimensions: 32.3mm (length), 10.5mm (height), 31.5mm (width), 13mm (diameter).</p> <p>ED(C) dimensions: 33mm (length), 18mm (height), 22.5mm (width).</p>	Sensitive field: $\leq 10\text{cm}$ Sensitive angle: 15-30
ED(C)	Door sensing head			Sensitive field: $\leq 8\text{cm}$ Sensitive angle: 15-30

Features

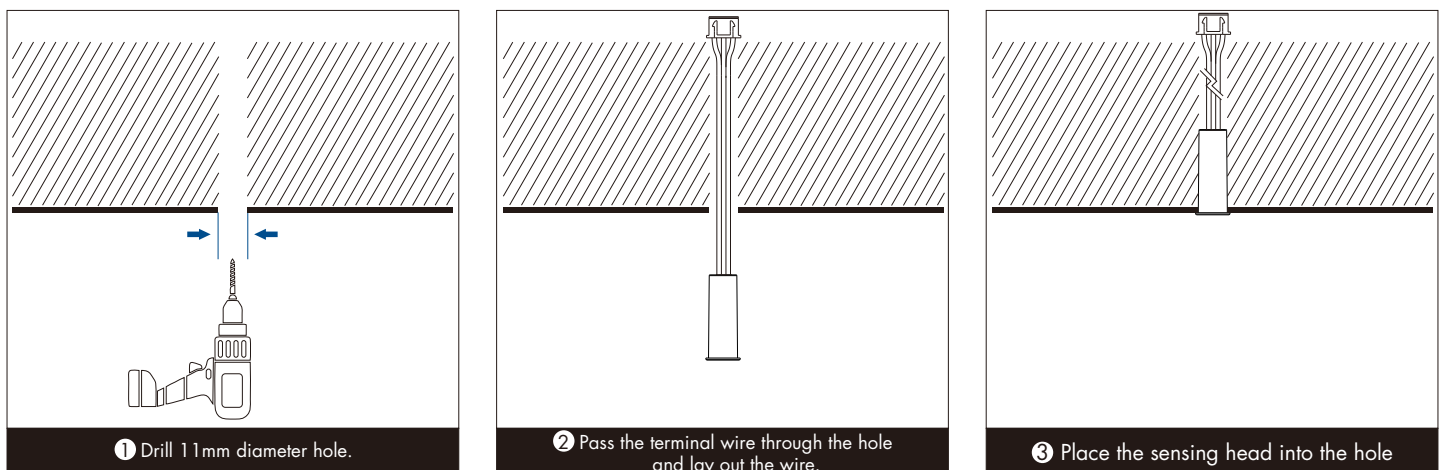
- Powered by low voltage 5VDC, output 5V level or PWM signal.
- Can be used with constant voltage LED dimming power supply.
- Apply to cabinet, closet, wine cabinet and other lighting.
- Output PWM frequency: 2000Hz.

Sensor wire define

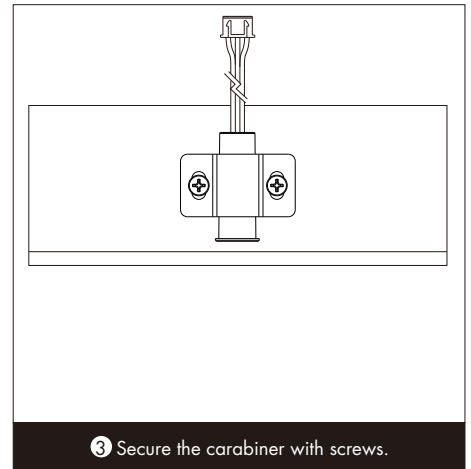
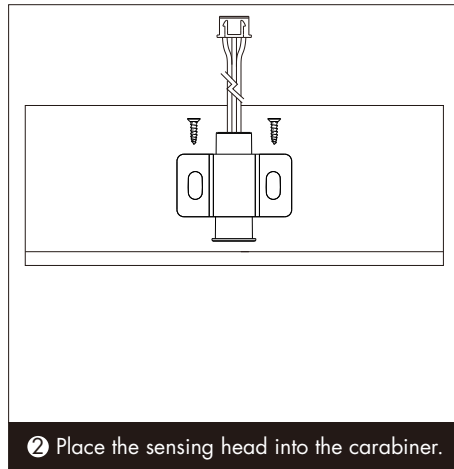
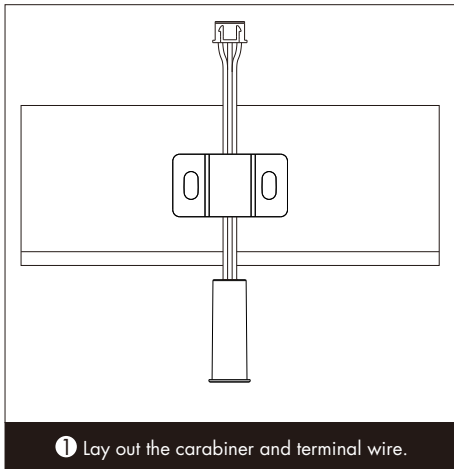


Sensing head installation

- Concealed installation:



● Surface mounting method:



Sensing head application

EB(C): Hand sweep sensing head

Make pendulum action at the front end of the sensing head:
when hand sweep, the light turn on gradually;
when hand sweep again, the light turn off gradually.

Hold your hand in front of the sensing head for more than 2 seconds:
The brightness increases or decreases continuously,
the each time the hand is removed and then held again,
the brightness changes in the opposite direction.

ED(C):Door sensing head

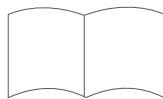
Use the door as a reflection object.
It is installed at the outer edge of the cabinet door, about 1 cm away from
the outer edge.

When the door open, or no obstacle in front of the sensing head,
the light turn on gradually;
When the door close, or obstacle in front of the sensing head,
the light turn off gradually.

Packing List



Induction sensor head
1 pcs



User manual
1 pcs



Carabiner
1 pcs



Screw
2 pcs