

EUP12T-1W12V-1 (Product No.: 104200021201)

**Product Feature**

- Single-channel constant voltage output, 12ADC
- Support Leading edge (Triac) and Trailing edge (ELV) Dimmer
- Dimming range from 40VAC to 240V AC
- Dimming effect smooth, no flicker
- Over power protection; Over voltage protection
- Suitable for indoor LED lighting application



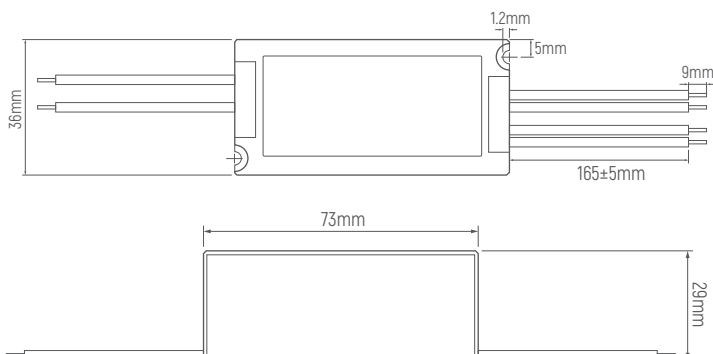
**Application**



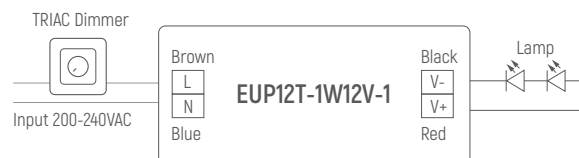
**Technical Parameters**

Model	EUP12T-1W12V-1	
Input	Efficiency	77%@230VAC, Full load
	Voltage	200VAC-240VAC
	Frequency	50/60Hz
	Current	0.13Amax@230VAC, Full load
	Dimming voltage range	40-240VAC
	Inrush Current	12A @230VAC
Output	Current/Voltage/Power	1A/12VDC/12W
	Ripple Current	120mVp-p
	Channel	1
	Voltage Tolerance	±3%
	Turn On Delay Time	<1s, at 230Vac
Function	Dimming Mode	Triac <span style="float: right;">ELV</span>
Protection	Over Power	Hiccup mode, recovers after fault condition is removed
	Over voltage	Close output, recovers after fault condition is removed
Others	Working Temp.	-20°C~40°C
	Storage Temp.; Humidity	-40°C~85°C, 20-90%RH
	Tc	75°C
	Material	PC
	IP Rating	IP20
	Lifetime	30,000h@tc:75°C
	Warranty Condition	3 years
	Switch Cycle	>15,000 times
	Packing Size	Net weight: 85g±5%/PCS; 100PCS/Carton; 9kg±5%/Carton; Carton Size: 388*265*219mm[L*W*H]
	Dimension	73*36*29mm[L*W*H]

**Dimension(mm)**



**Wiring Diagram**



Note: For capacitive load, the larger inrush current will reduce the service life of the electrolytic capacitor. Before using this product, please contact the relevant technical personnel to match and verify.

※ The contents of this manual are updated without prior notice. If the function of the product you are using is inconsistent with the instructions, the function of the product shall prevail. Please contact us if you have any questions.

EUP12T-1W12V-1 (产品编码: 104200021201)

### 产品特点

- 单通道恒压输出, 最大输出电压为 12VDC
- 支持前沿 (Triac) 和后沿(ELV)调光
- 调光电压范围 40VAC- 240VAC
- 调光曲线平滑, 无抖动
- 过功率保护; 过压保护
- 适用于室内 LED 灯具



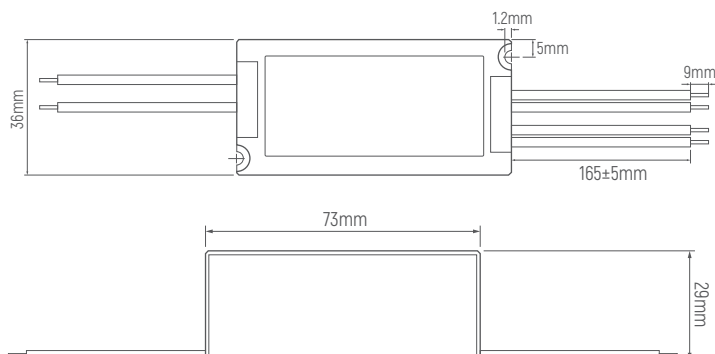
### 应用



### 技术参数

型号	EUP12T-1W12V-1		
输入	效率	77%@230VAC, 满载	
	电压	200VAC-240VAC	
	频率	50/60Hz	
	电流	0.13Amax@230VAC, 满载	
	调光电压范围	40-240VAC	
	浪涌电流	12A @230VAC	
输出	电流/电压/功率	1A/12VDC/12W	
	纹波	120mVp-p	
	通道	1	
	电压精度	±3%	
	开机延时	<1s, at 230Vac	
功能	调光方式	前沿 <span style="float: right;">后沿可控硅</span>	
	保护	过功率: 打嗝, 去除故障后自恢复 过压: 关断输出, 去除故障后重启, 恢复正常	
其它	工作温度	-20°C~40°C	
	储存温度及湿度	-40°C~85°C, 20-90%RH	
	Tc	75°C	
	材质	PC	
	防水等级	IP20	
	寿命	30,000h@tc:75°C	
	质保	3 years	
	开关次数	>15,000 times	
	箱重尺寸	净重: 85g±5%/个; 100个/箱; 9kg±5%/箱; 外箱尺寸: 388*265*219毫米[长*宽*高]	
	产品尺寸	73*36*29毫米[长*宽*高]	

### 尺寸(mm)



### 应用接线图



备注: 对于容性负载, 产品的冲击电流较大, 会导致输出电解电容寿命折损, 选用该产品时, 请联系相关技术人员进行匹配和验证。

※ 本说明书内容如有更新, 恕不另行通知。若您使用的产品功能与说明书不一致时, 请以产品为准。如有疑问请与我们联系。