

**Features**

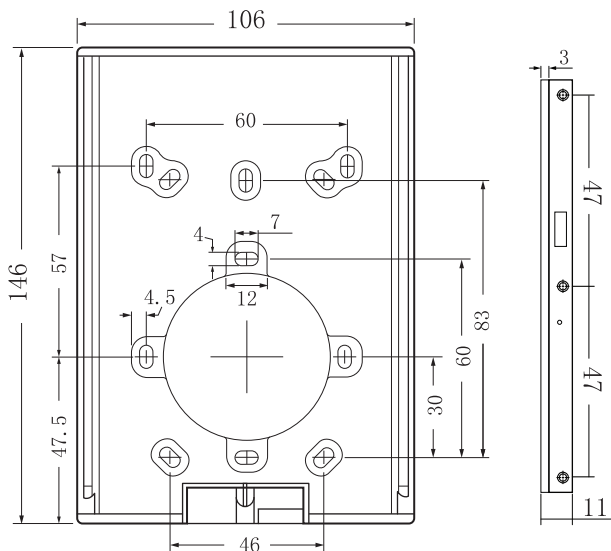
- Meet DMX512 (1990 ) international standard protocol
- Support 4 zones separately, each zone 4 channels.
- Control RGBW lights separately or synchronously
- Support speed, brightness, color live adjustment.
- Can save 4 customized scenes
- Built-in 36 kinds of mode
- High sensitivity panel touch button and color ring
- Color ring using scrub concave ring design, more ergonomics.
- Using glass material, stylish appearance.
- Compatible with any DMX fixtures or DMX drivers.
- Can be installed in the wall, suitable for all types of wall boxes.



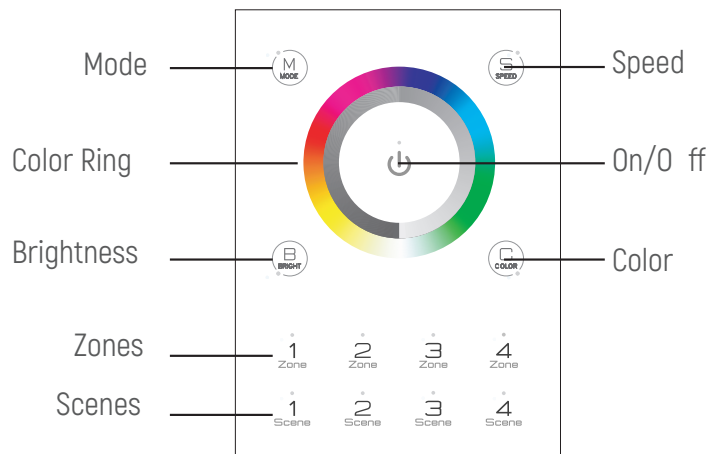
**Technical Parameters**

Voltage : 5VDC	Zones : 4
Power : 3W	Scenes : 4
DMX channels:16 (Each zone 4 channels)	Product Size : 146(L) *106 (W)*11 (H)mm
Indicators : 13	N.W : 200g
Dimmer : DMX512	Work temperature 0 °C - 50 °C

**Dimension**



**Appearance**



**Function Guide**

**ON / OFF**

Under OFF state, click on the "ON/OFF" button to open DMX panel, the lamps controlled by the panel will light up with the last closed state. Under ON state, click on the "ON/OFF" button, you can close the panel, all fixtures controlled by this panel will turn off. on/off led indicator will light weakly, indicate the on/off switch position in darkness.

Under OFF state, click on zone button or scene button also can open the panel, the lamps light up with zone or scene last closed state.

### **Area/Zone Dimming**

The panel supports four DMX zones, each zone has 4 channels. Zone 1 for channel 1~4, zone 2 for channel 5~8, zone 3 for channel 9~12, zone 4 for channel 13~16. Each zone has a corresponding indicator.

Click Zone1/2/3/4 button can be individually selected corresponding zone, the lamps connected of the zone will light up with the brightness or color saved last, and the corresponding indicator will light, so lamps of the zone can be adjust color or brightness. Selecting "Color" "Built-in mode" "Speed" or "Brightness" button to editing lighting effects. Other zone will stay the same.

Click another zone button to switch zone, the lighting effects in other zones will not change. Only the selected zone indicator light up, indicate the zone could be adjust.

When one zone is selected, click on the zone icon again, can closed lamps connect of the zone, and the zone indicator turn off.

Long press one zone button 2 seconds, the four zones selected simultaneously, four zone led indicators light up, in this case you can operate four zones synchronously.

### **Scene Settings**

Click on Scene1/2/3/4 button, you can play the 4 kinds of scene saved by user. Each time can play one scene. In the scene play mode, you can adjust the brightness only, other mode can't be used.

After adjust the brightness or color of lamps on one or multiple zones, then long press the scene button for 3 seconds, after "di-di-di" Tone, means the lighting effects of four zones have been saved in this scene successfully.

You can save up to four scenes user-defined. You can continue to save a new scene effect on the scene button that has saved scene. (Note: The scene saved before will be covered).

### **Lighting Effects Editor**

When you need to edit the lamps of brightness, color or other modes, you can use the panel powerful live editing function.

Notice: You can edit lighting effects only after the corresponding zone selected, in scene mode only can adjust the brightness. Please refer to "Area/Zone Dimming" instruction to select the zone.

**Color ring** Color ring has different functions in different editing modes.

Under color mode, adjust the color of lamps connect to the selected zone by touching around the ring with finger.

Under brightness mode, adjust the brightness of lamps connect to the selected zone by touching around the ring with finger

Under speed mode, adjust the speed of built-in dynamic mode by touching around the ring with finger.

**Mode Adjustment:** Built-in 36 kinds of full color mode, after select the corresponding zone,click on the "Mode" button you can play the mode. Repeat click the button, the built-in mode will switch to other mode in order.

**Speed Adjustment:** Under the built-in mode, you can switch to speed editor mode, adjustment

the speed by touching "color ring" with finger, clockwise turn will increase the speed, counter clockwise turn will reduce the speed.

### Brightness Adjustment

After selected corresponding zone (or all zones), click "Brightness" button, enter "Brightness Adjustment" state, in this case you can adjust the brightness of lamps connect of selected zone or adjust the overall brightness of current scene. Slide "color ring" with finger to adjust brightness, touch the color ring clockwise, the brightness of light gradually increase; touch the color ring anticlockwise, the brightness of light decrease gradually; darkest brightness is 5%.

### Color Adjustment

After selected corresponding zone, click "color" button, enter "Color adjustment" mode, slide "color ring" with finger can adjust the color of lamps connect to the selected zone .

### Button Tone Settings

Use the DIP switch1 to set button tone. When set the DIP switch 1 to "ON", the button tone is enable; Otherwise, the button tone is disable.

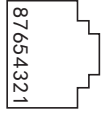
### Button Indicator Settings

Use the DIP switch 2 to set button indicator light. When set the DIP switch 2 to "ON", the button indicator will light up when touch the button; Otherwise, the button lights are disable.

NO.	Mode	NO.	Mode
1	Static White (Only for W channel)	19	RB fade
2	Static Red	20	WB fade
3	Static Green	21	P Y fade
4	Static Blue	22	RGB gradual fade out
5	Static Yellow	23	Seven color fade
6	Static Purple	24	DISCO
7	Static Cyan	25	FIRE
8	RGB jump	26	Seven color chase(16 channel)
9	Seven color jump	27	RG chase(512 channel)
10	White strobe	28	GB chase(512 channel)
11	Red fade	29	RB chase(512 channel)
12	Green fade	30	YC chase(512 channel)
13	Blue fade	31	Seven color chase(512 channel)
14	White fade	32	Red water(512 channel)
15	Y ellow fade	33	Green water(512 channel)
16	Purple fade	34	Blue water(512 channel)
17	RG fade	35	Y ellow water(512 channel)
18	GB fade	36	Purple water(512 channel)

**Interface introduction**

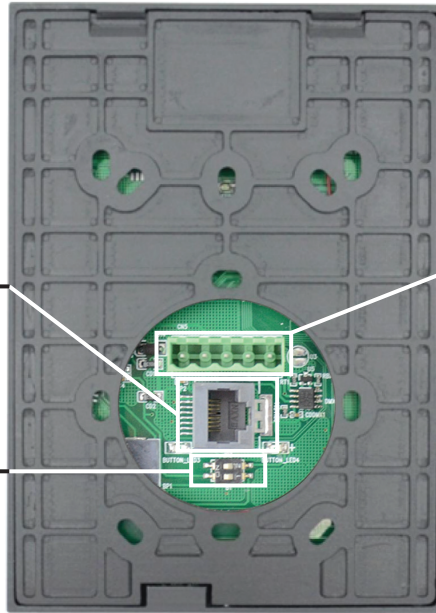
PIN1: DMX+  
 PIN2: DMX-  
 PIN7: GND  
 PIN8: GND



Signal interface: DMX RJ45



DIP Switch 1 : Control the button tone on/off  
 DIP Switch 2 : Control the indicator light on/off

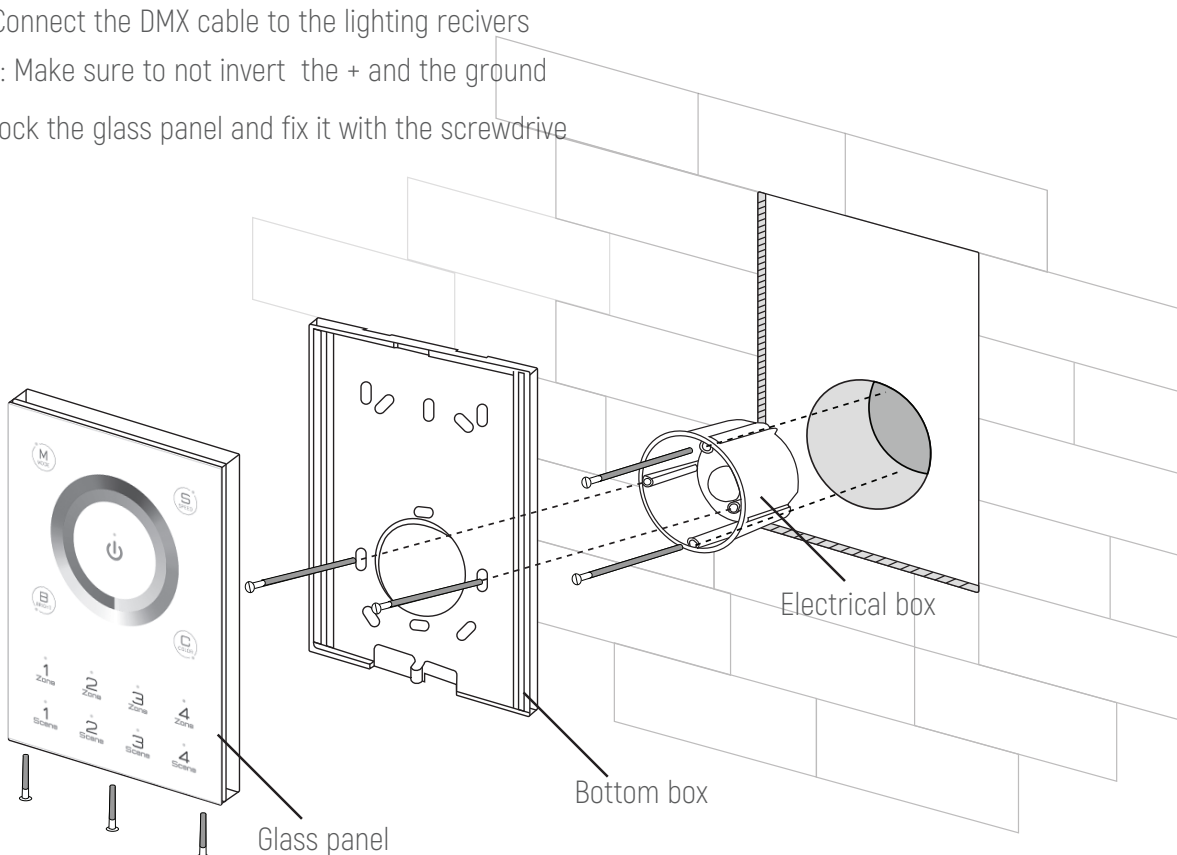


1 2 3 4 5

Port1 : V+  
 Port2 : V-  
 Port3 : GND  
 Port4 : DMX-  
 Port5 : DMX+

**Installation Guide**

1. Mount an electrical box inside the wall  
 DMX-E03 can be installed in any standard electrical box,you can insert the adapter inside or outside the electrical box
2. To lock the back cover on the electrical box and fix it with the screwdrive
- 3.Connect the wires  
 DMX: Connect the DMX cable to the lighting recivers  
 Power: Make sure to not invert the + and the ground
4. To lock the glass panel and fix it with the screwdrive





## 产品特性

- 符合DMX512 (1990) 国际标准协议
- 支持4个独立区域, 每个区域4个通道
- 支持RGBW灯具独立或同步控制
- 支持速度, 亮度, 颜色的实时调节
- 可自定义保存4个场景
- 内置36种变化模式
- 高灵敏度玻璃触摸按键及调节环
- 色环采用磨砂凹型环状设计, 更符合人体工程学
- 采用玻璃材质, 外观时尚美观
- 兼容任何DMX灯具或DMX驱动器
- 可安装在墙体, 适合各类墙盒。



## 技术参数

输入电压:5VDC

输入功率:3W

调光方式:DMX512

通道数:16 (每个区域4通道)

区域数:4

场景数:4

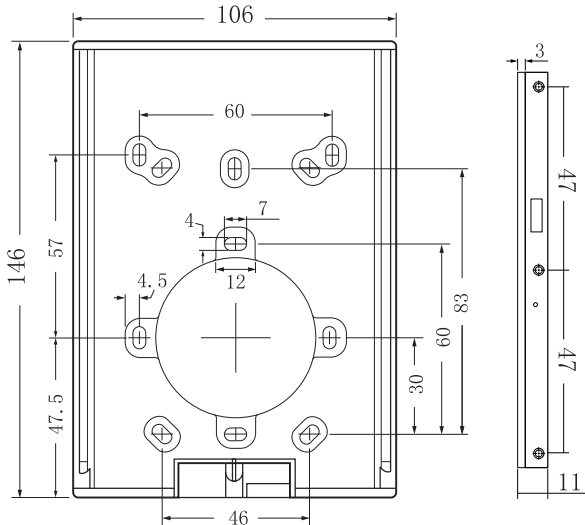
产品尺寸:146\*106\*11(mm)

工作温度:0°C-50°C

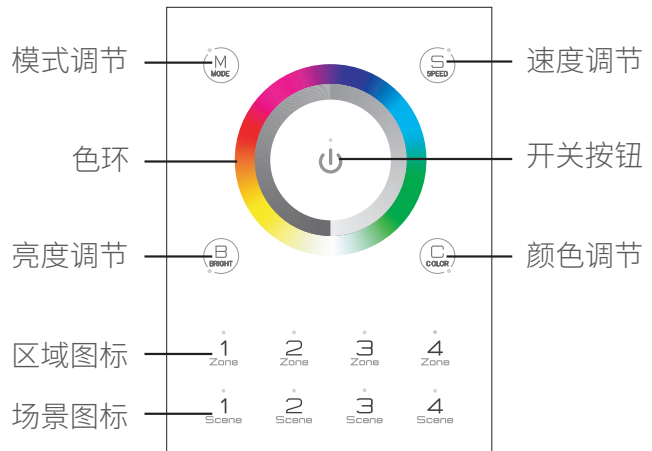
包装尺寸:171\*145\*48(mm)

净重:200g

## 结构尺寸



## 面板外观



## 功能指南

### 开/关

在关闭状态下点击“开关按钮”开启DMX面板, 面板控制的灯具按照上次关闭的状态亮起。开启状态下点击“开关按钮”, 则可关闭面板, 所有控制的灯具熄灭, 开关指示灯微亮, 用于黑暗中指示开关位置。

在关闭状态下点击区域按键或场景按键也可以开启面板, 按照最后一次该区域或场景关闭的灯具状态亮起。

### 区域调光

本面板支持4个DMX区域, 每个区域4个通道, 即区域1为通道1~4, 区域2为通道5~8, 区域3为通道9~12, 区域4为通道13~16。每个区域都有相应的指示灯。

点击Zone1/2/3/4区域按钮可分别选中相应的区域,该区域的灯具按照最后一次关闭的色彩/亮度亮起,同时相应的区域选择指示灯亮起,表示可对该区域的灯具进行调光调色操作。可通过选择“颜色”“内置模式”“速度”或“亮度”进行相应的灯具效果编辑。其他区域的灯具效果保持不变。

可点击选中另外一个区域按键来切换区域。此时其他区域的灯具效果不变。只有选中的区域的指示灯亮起,表示该区域可进行编辑操作。

当某个区域被选中时,再次点击该区域图标,则可关闭该区域的灯具,同时区域指示灯灭。

长按某个区域按钮2秒钟,则4个区域同时选中,4个区域指示灯同时亮起,此时可同时对4个区域进行同步操作。

### 场景设置

点击Scene1/2/3/4按钮,可分别调用用户保存的4种场景。每次只能调用1种场景。在场景调用模式下,可进行亮度的调节,颜色/模式/速度编辑模式不能使用。

对1个或多个区域的灯具进行调光调色后,可长按场景按钮3秒钟,听到“嘀-嘀-嘀”提示音,则表示当前4个区域的灯光效果被成功保存进该场景中。

最多可保存4个用户自定义的场景。可在已保存过的某个场景的场景按钮上再次保存新的场景效果(注意:原来保存的场景将被覆盖)。

### 灯具效果编辑

当您需要对灯具进行亮度、色彩或其他模式应用进行编辑时,可使用本面板强大的实时编辑功能。

注意:只有选中相应的区域后才可进行灯具效果的编辑,在场景模式下只能进行亮度的调节。请参考“区域操作”指南进行区域的选择。

调节环:调节环在不同的编辑模式下,用于不同的功能。

- 颜色模式下,手指滑动调节环可调节选中区域的灯具颜色。
- 亮度模式下,手指滑动调节环可调节选中区域的灯具亮度;
- 速度模式下,手指滑动调节环可调节选中区域的灯具内置动态模式变化的速度。

模式调节:本面板内置了36种全彩变化模式,用户选中相应的区域后,点击“模式键”可调用相应的模式。重复点击可按顺序切换不同的内置模式。

速度调节:当灯具处于变化的内置模式下,可切换至速度编辑状态,用手指滑动“色环”进行速度的调节,顺时针速度加快,逆时针速度减慢。

亮度调节:用户选中相应区域(或全选)后,点击“亮度”按钮,进入“亮度调节”状态,在状态下可进行选中区域的灯具的亮度调节,或者进行当前的场景的亮度整体调节。用手指滑动“色环”进行亮度的调节,顺时针变亮,逆时针变暗;最暗为5%的亮度。

色彩调节:用户选中相应区域后,点击色板按钮进入“色彩调节”模式,用手指滑动色环可调节选定区域的灯具颜色。

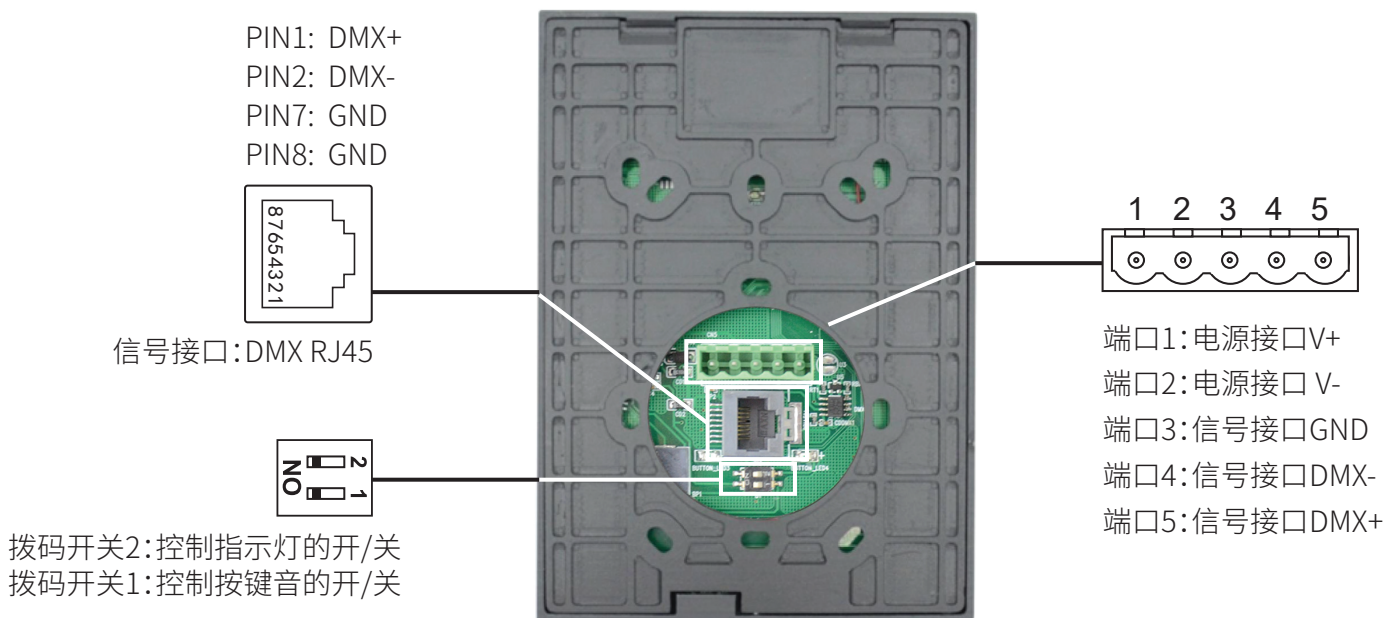
按键音设置:通过拨码开关1进行设置。当拨码开关在“ON”端时,有按键音;反之,则没有按键音。

按键指示灯设置:通过拨码开关2进行设置。当拨码开关在“ON”端时,指示灯亮;反之,则不亮。

**M键内置模式**

模式	灯光状态	模式	灯光状态
1	静态白 (W通道有效)	19	红蓝渐变
2	静态红	20	白蓝渐变
3	静态绿	21	紫黄渐变
4	静态蓝	22	红绿蓝渐进渐出
5	静态黄	23	七彩渐变
6	静态紫	24	DISCO
7	静态青	25	FIRE
8	红绿蓝跳变	26	七彩追逐 (16通道)
9	七彩跳变	27	红绿追逐 (512通道)
10	白色频闪	28	绿蓝追逐 (512通道)
11	红渐变	29	红蓝追逐 (512通道)
12	绿渐变	30	黄青追逐 (512通道)
13	蓝渐变	31	七彩追逐 (512通道)
14	白渐变	32	流水红 (512通道)
15	黄渐变	33	流水绿 (512通道)
16	紫渐变	34	流水蓝 (512通道)
17	红绿渐变	35	流水黄 (512通道)
18	绿蓝渐变	36	流水紫 (512通道)

**接口介绍**



**安装说明**

1. 在墙体上安装电气盒(DMX-E03可以安装在标准的电气盒内, 电源适配器可以安装在电气盒的内部或者外部)。



2. 用螺钉将底盖固定在电气盒上, 以确保安装牢固。

3. 连线

DMX: 连接DMX端口信号线

Power: 确保正负极没有接反



4. 将玻璃面板固定在底盖上, 并从底部用螺钉将玻璃面板和底盖固定

