

DALI-130

DALI BUS Power Supply

Product Features

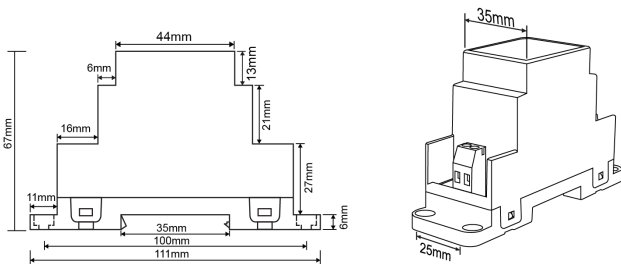
- Meet DALI Protocol IEC62386
- Output current up to 250mA Max
- Support two installation methods of rail and screw fixing
- Support over current protection
- LED indicator light indicate status



Technical Parameters

Model	DALI-130
Input voltage	220-240VAC
Input frequency	50/60 HZ
Output voltage	16V+5%
Output current	250mA
Output power	4W
Working temp	-20-50°C
N.W.	71g
G.W.	105g
Product size	111*35*67mm (L*W*H)
Packing size	354*234*232mm (L*W*H) /60Pcs/Carton
Recommended wire size	1.5-2.5mm ²

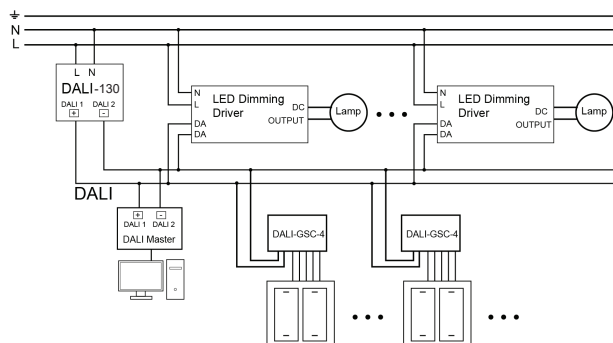
Dimension (mm)



Cautions

1. When using DALI-130 and DALI master controller simultaneously, you must ensure that the polarity connection of the DALI signal is correct .
2. Individual DALI circuits must not exceed 250mA, the number of drivers and controllers shall not exceed 64.
3. Usually, the current consumption of each DALI power supply is 2 mA, with 64 individual addresses this will consume 128mA. The remaining part is used to supply the DALI controller without built-in power supply (including DALI panel, DALI Group / scene controller).
4. The maximum cable length of the DALI signal wires must not exceed 300 m, and drop more than 2 V on the signal line voltage.It can be related to material, cross-sectional area,temperature. Refer to the table below :

Wiring Diagram



Material	Cross-sectional area /mm ²	Wires length/m			Material	Cross-sectional area /mm ²	Wires length/m		
		25c	50c	75c			25c	50c	75c
Copper	0.14	31	28	26	Aluminium	0.14	19	17	16
	0.50	112	102	93		0.50	68	62	57
	0.75	168	153	140		0.75	102	93	96
	1.00	224	204	187		1.00	136	125	115
	1.50	300	300	281		1.50	205	187	172
	2.00	300	300	300		2.00	273	250	230
2.50	300	300	300	2.50	300	300	280		

DALI-130

DALI 总线电源

产品特点

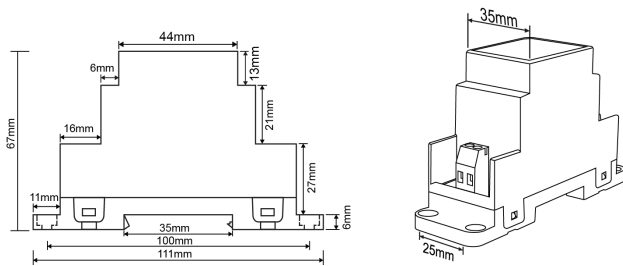
- 符合DALI协议IEC62386
- 输出电流最大250mA电流
- 安装在配电箱内，支持导轨式和螺丝固定两种安装方式
- 支持过流保护
- 具有LED指示灯状态指示

技术参数

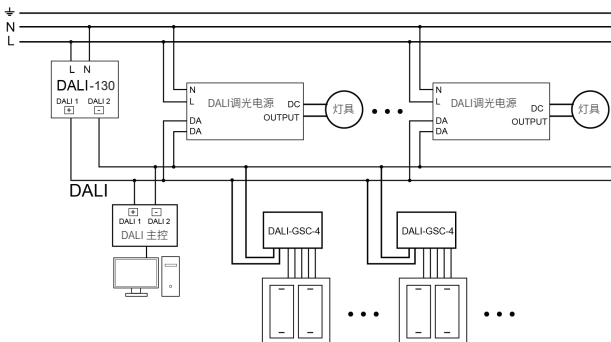
型号	DALI-130
输入电压	220-240VAC
输入频率	50/60 HZ
输出电压	16V+5%
输出电流	250mA
输出功率	4W
工作环境	-20-50°C
净重	71克
毛重	105克
外形尺寸	111*35*67毫米 (长 *宽*高)
包装尺寸	354*234*232毫米 (长 *宽*高) /60Pcs/箱
推荐线径	1.5-2.5mm ²



外观尺寸(mm)



接线图



注意事项 :

- 1.当回路中同时用到DALI-130与DALI主控时，需确保DALI信号的极性连接一致。
- 2.每个独立的DALI 回路电流不得超过250mA, 每个回路的电源和控制器数量不得超过64个。
- 3.通常，每个DALI电源或控制器消耗电流为2 mA, 64个电源或控制器总共消耗128mA, 剩余部分给不带内置电源的DALI控制器 (包括DALI 面板, DALI分组/场景控制器) 供电。
- 4.DALI信号的最大传输距离不超过300米, 并且压降不能超过2V, 与信号线材质, 截面积, 温度有关, 建议参考下表:

材质I	截面积/mm ²	最大传输距离/m			材质II	截面积/mm ²	最大传输距离/m		
		25c	50c	75c			25c	50c	75c
铜	0.14	31	28	26	铝	0.14	19	17	16
	0.50	112	102	93		0.50	68	62	57
	0.75	168	153	140		0.75	102	93	96
	1.00	224	204	187		1.00	136	125	115
	1.50	300	300	281		1.50	205	187	172
	2.00	300	300	300		2.00	275	250	230
2.50	300	300	300	2.50	300	300	280		