

DALI-P02

DALI Touch Panel Controller



Summary

DALI-P02 is one of our high-end, DALI wall-dim touch panel controller series, with characteristic of fashionable and beautiful appearance, complete functions, easy operations, sensitive key touch. The user can control DALI controller and driver to achieve group and scene control via this panel. It can be widely used in hotels, restaurants, villas, hospitals and offices and other regions.

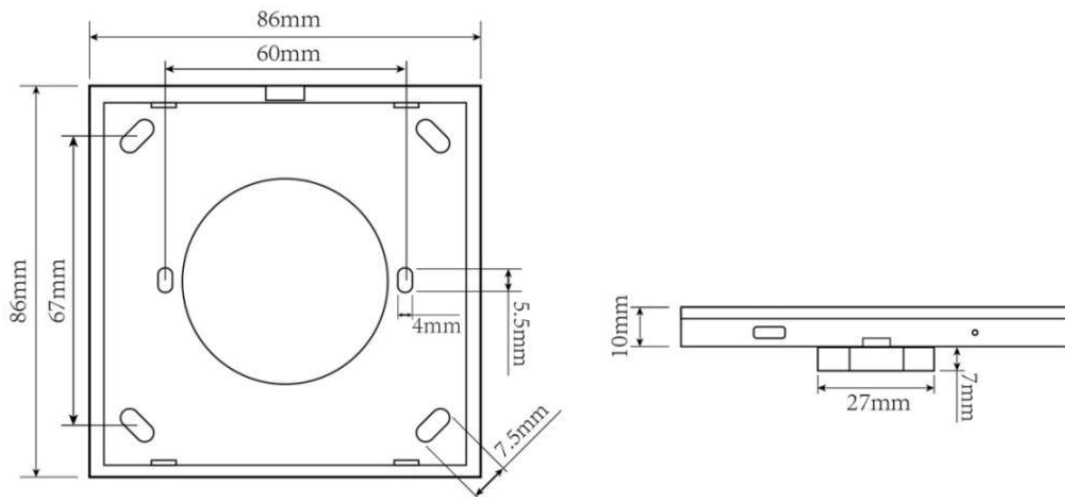
Product Features

- Meet DALI Standard protocol IEC60929/IEC62386
- Supplied via DALI bus
- Support broadcast control.
- Support up to 3 groups control individually.
- Support up to 4 scenes control individually.
- Use blue led button indicator, easy to use.
- Can support many standard electrical wall box
- Glass panel, fashion style.
- Start Group and start Scene can be set by dip-switch in back side.
- Can choose white or black according to personal preference.

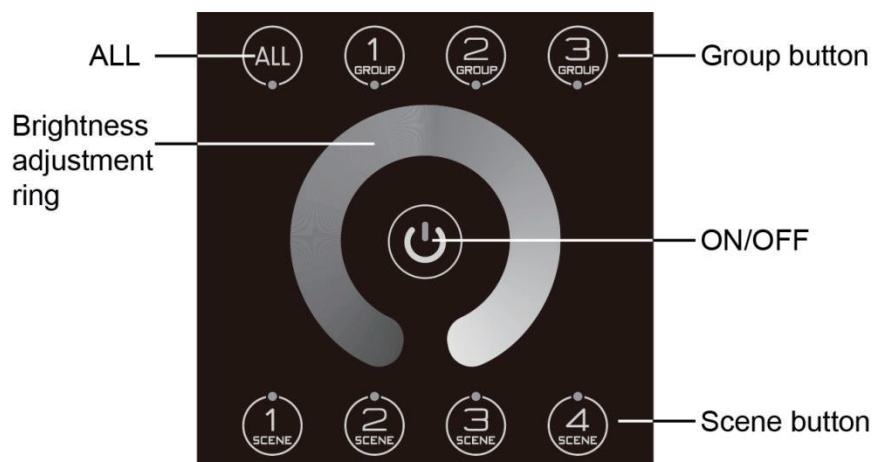
Technical Parameters

Model		DALI-P02
Output	Signal	DALI signal (Group/Scene/ broadcast)
	Indicator lights	9
	Groups	3
	Scenes	4
Input	Voltage	16VDC \pm 5%
	Current	8mA
Others	Dimension	86*86*10mm (L*W*H)
	Packing size	145*135*48mm (L*W*H)
	N.W.	110g
	G.W	145g
	Working temp.	-10 $^{\circ}$ C ~ 60 $^{\circ}$ C
	Relative humidity	20~90% RH

Dimension (mm)



Function Description



1. ON/OFF

- In OFF status, long press the ON/OFF button to enable the panel, all the lamps will light up with the scene 1.

- In ON status, long press the ON/OFF button to close the panel, and all the lamps will turn off. ON/OFF button led indicator will light weakly, indicate the ON/OFF switch position in darkness.

2. GROUP Dimming

- **ALL:** broadcast, select all the lights connected in this DALI loop, up to 64.

When you want to select the broadcast command, press ALL and the corresponding indicator lights, you can choose the scene, or adjust the brightness by touch the ring with finger directly.

If ALL is selected, the indicator lights, long press ALL, all the lamps will turn off.

- **GROUP 1:** Select the start group, the “start group ID” can be set by dip-switch in backside.
- **GROUP 2:** Select the group which group ID is “start group ID +1”
- **GROUP 3:** Select the group which group ID is “start group ID +2”

3. SCENE

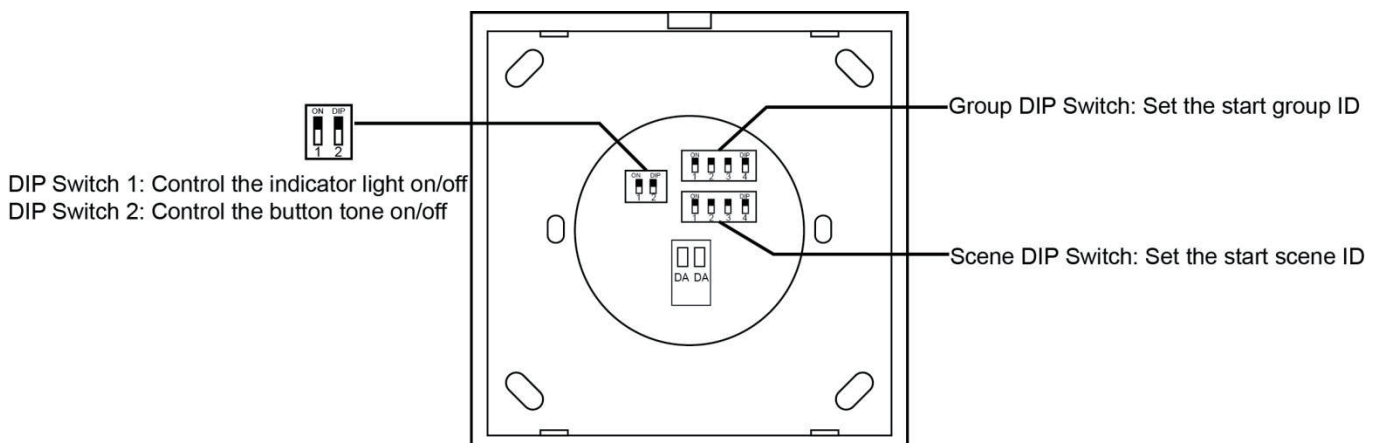
Touch the Scene 1/2/3/4 button, you can recall 4 kinds of scene configured by user.

- **SCENE1:** Recall the start scene, the “start scene ID” can be set by dip-switch in backside.
- **SCENE2:** Recall the scene which scene ID is “start scene ID +1”
- **SCENE3:** Recall the scene which scene ID is “start scene ID +2”
- **SCENE4:** Recall the scene which scene ID is “start scene ID +3”

4. Brightness adjust ring

You can touch the ring to adjust brightness with finger. Clockwise turn will increase the brightness; Anti-clockwise turn will reduce the brightness. The lowest brightness is 5%, the maximum brightness is 100%.

Interface Introduction



- **Start Group ID Settings**

Group DIP Switch: the start group ID setting, the ID is 0, 3, 6, 9, 12...15.

- **Start Scene ID Settings**

Scene DIP Switch: the start scene ID setting, the range is 0-15.

Binary dial table as following (0 means OFF, 1 means ON)

DIP switch state	ID	DIP switch state	ID
0-0-0-0	0	0-0-0-1	8
1-0-0-0	1	1-0-0-1	9
0-1-0-0	2	0-1-0-1	10
1-1-0-0	3	1-1-0-1	11
0-0-1-0	4	0-0-1-1	12
1-0-1-0	5	1-0-1-1	13
0-1-1-0	6	0-1-1-1	14
1-1-1-0	7	1-1-1-1	15

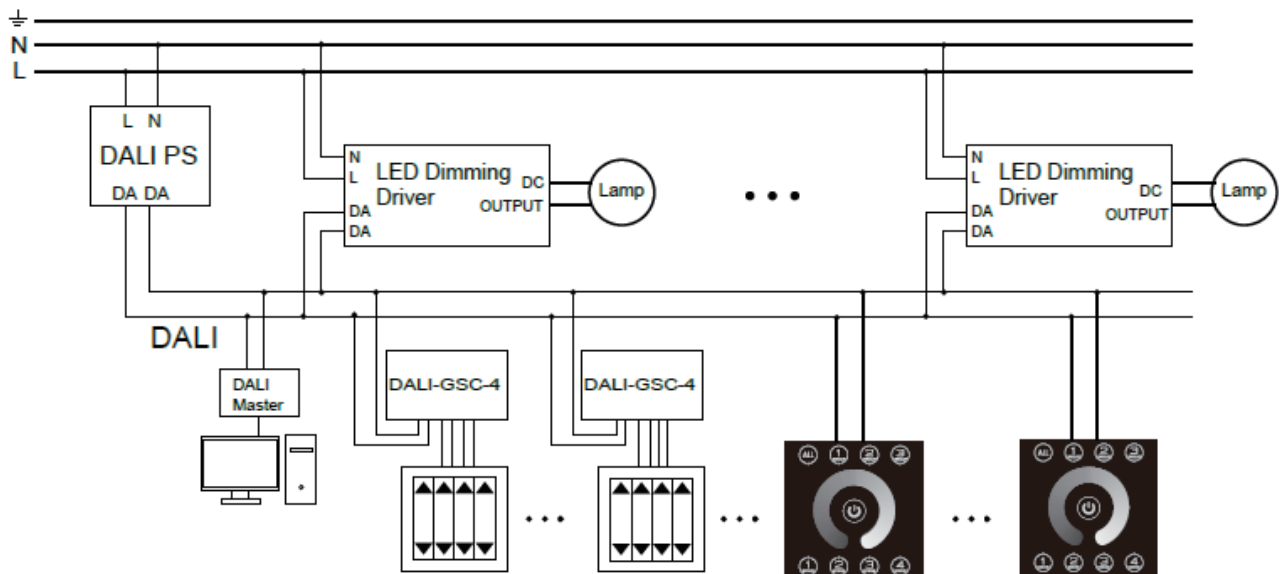
● **Button Indicator Settings**

Use the DIP switch 1 to set button indicator light. When set the DIP switch 1 to "ON", the button indicator will light up when touch the button; otherwise, the button lights are dark.

● **Button Tone Settings**

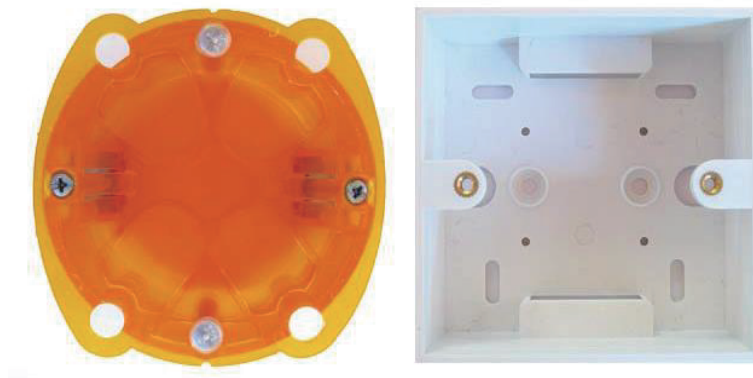
Use the DIP switch 2 to set button tone. When set the DIP switch 1 to "ON", the button tone is enable; otherwise, the button tone is disable.

DALI Diagram

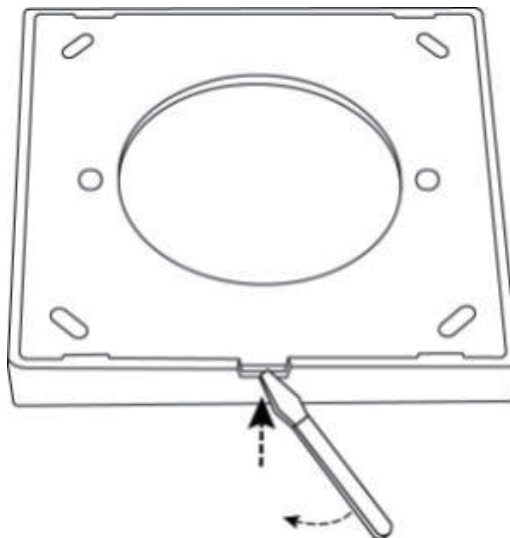


Installation guide

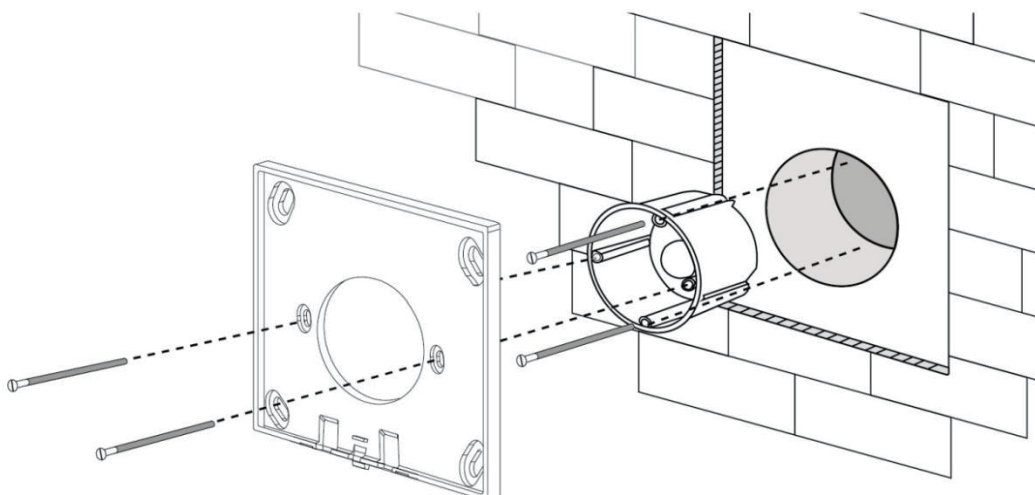
1. Mount an electrical box inside the wall



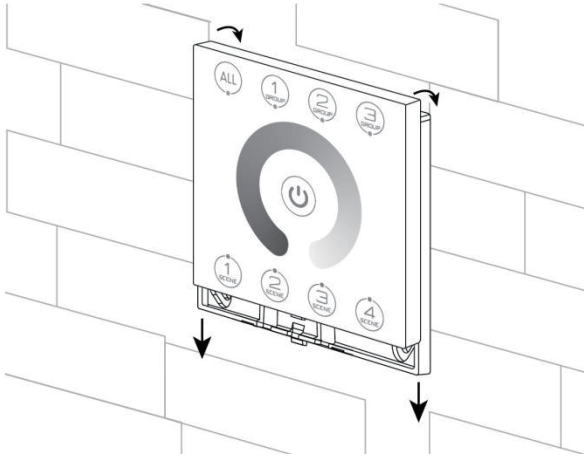
2. To separate the glass panel and the back cover of the controller with a screwdriver along the gap of the back cover.



3. Connect the wires
4. To put the back cover on the electrical box and fix it with the screw.



5. To buckle the glass panel to the bottom box.



DALI-P02

DALI 触摸式玻璃面板控制器



概述

DALI-P02 是欧切斯设计的高端 DALI 触摸式玻璃面板控制器系列的产品之一，它具有界面时尚美观，功能齐全，简单易用，按键触摸灵敏等特点。它主要应用于控制符合 DALI 标准协议的控制器或电源，实现区域和场景控制，满足客户个性化的调光要求。可广泛应用于酒店、餐厅、别墅、医院以及办公室等区域。

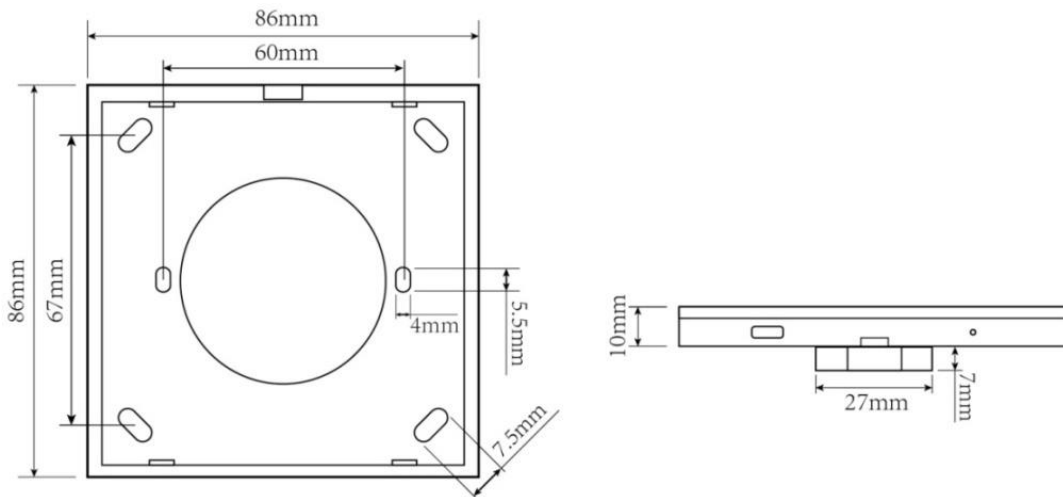
产品特点

- 遵循 DALI 协议标准 IEC60929/IEC62386
- 通过 DALI 总线供电
- 支持广播控制
- 可独立控制最多 3 个组
- 可独立控制最多 4 个场景
- 组序号和场景序号可通过拨码开关自由设置
- 采用玻璃面板，磨砂制作工艺，外观时尚
- 蓝色按键灯指示，简单易用
- 可支持多种标准的墙盒
- 黑白两色可选

技术参数

型号		DALI-P02
输出	信号	DALI 信号 (组/场景/广播)
	指示灯数	9
	可控制组数	3
	可控制场景数	4
输入	电压	16VDC ± 5%
	电流	8mA
其它	产品尺寸	86*86*10mm (长*宽*高)
	包装尺寸	145*135*48mm (长*宽*高)
	净重量	110 克
	毛重量	145 克
	工作温度	-10℃ ~ 60℃
	相对湿度	20~90% RH

外观尺寸 (mm)



功能描述



1. 开关控制

- 关闭状态下，长按开关键，开启 DALI 面板，所有灯具进入 SCENE1 场景。
- 开启状态下，长按开关键，则可关闭面板，控制的所有灯具熄灭，按键指示灯微亮，用于黑暗中指示开关的位置。

2. 分组控制

- **ALL**：广播形式，选择所有连接在 DALI 总线的 DALI 驱动器，最多可控制 64 个。
需要选择广播命令时，短按 ALL，对应指示灯亮起后，可以通过场景按键，广播进入某个场景，或者直接调节亮度。
如果 ALL 选中，指示灯亮起后，长按 ALL，所有灯具关闭。
- **GROUP 1**：选择起始组的灯，起始组号可通过背面的拨码开关进行设置。
短按选中 Group1，指示灯亮起，可以直接调节亮度或者进入指定场景；
如果 Group1 选中，指示灯亮起，长按 Group1，Group1 灯具全部关闭。
- **GROUP 2**：选择“起始组号+1”组的灯。
- **GROUP 3**：选择“起始组号+2”组的灯。

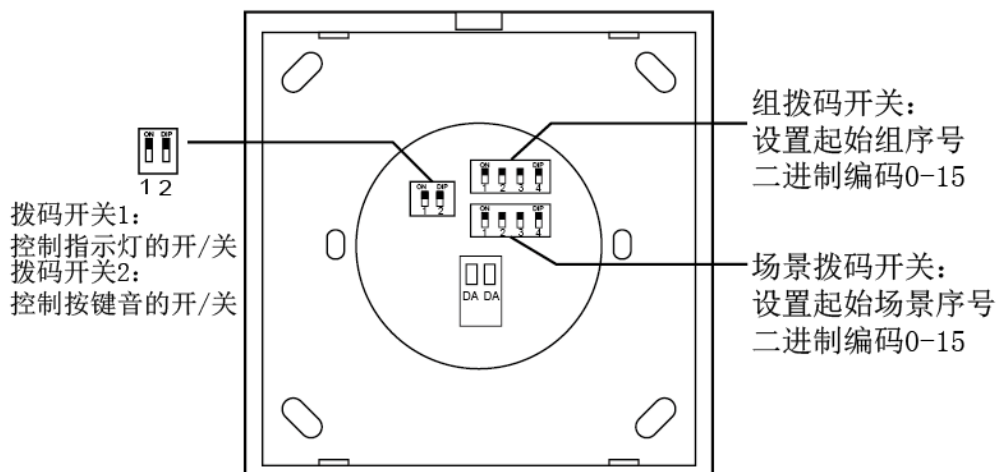
3. 场景控制

- **SCENE1**：调用“起始”场景，起始场景序号可通过背面拨码开关进行设置。
- **SCENE2**：调用“起始+1”场景。
- **SCENE3**：调用“起始+2”场景。
- **SCENE4**：调用“起始+3”场景。

4. 亮度调节

亮度调节环可调节选定组的灯光亮度，沿环顺时针触摸亮度调节环，灯具的亮度将逐渐增加；沿环逆时针触摸亮度调节环，灯具的亮度将逐渐减小。最暗为 5% 的亮度，最亮为 100%。

接口描述



◆ 起始组序号设置

组序号拨码开关：用于“起始组序号”的设置，起始组序号可设为 0-15。采用二进制拨码。

◆ 起始场景设置

场景拨码开关：用于“起始场景序号”的设置，起始场景序号可设为 0-15。采用二进制拨码。

二进制拨码表如下（0 表示拨到 OFF，1 表示拨到 ON）

拨码开关	表示的值	拨码开关	表示的值
0-0-0-0	0	0-0-0-1	8
1-0-0-0	1	1-0-0-1	9
0-1-0-0	2	0-1-0-1	10
1-1-0-0	3	1-1-0-1	11
0-0-1-0	4	0-0-1-1	12
1-0-1-0	5	1-0-1-1	13
0-1-1-0	6	0-1-1-1	14
1-1-1-0	7	1-1-1-1	15

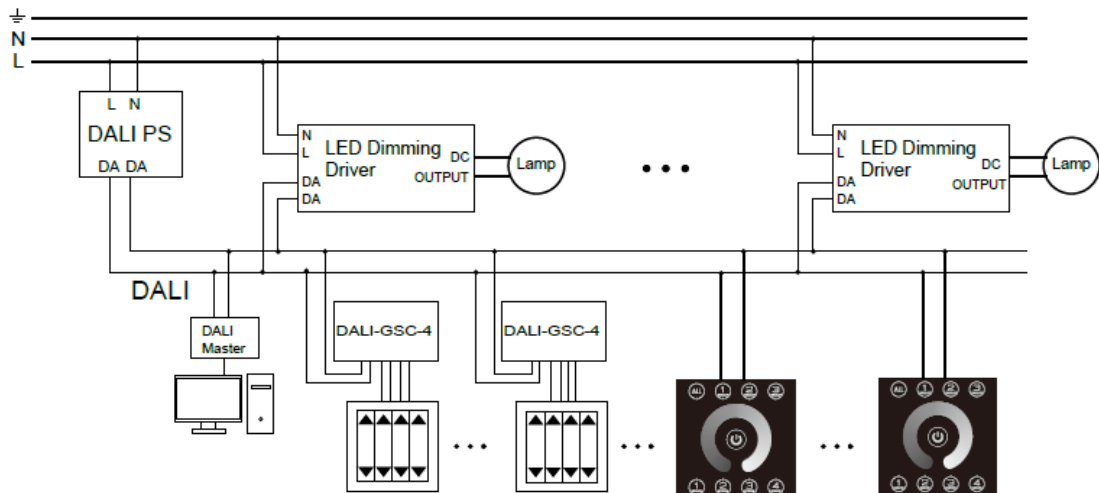
◆ 按键指示灯设置

通过拨码开关 1 进行设置。当拨码开关在“ON”端时，指示灯亮；反之，则不亮。

◆ 按键音设置

通过拨码开关 2 进行设置。当拨码开关在“ON”端时，有按键音；反之，则没有按键音。

应用接线图

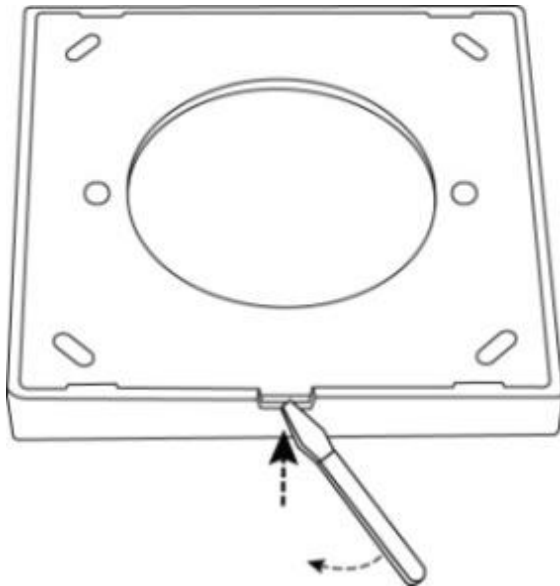


安装说明

1. 在墙体上安装电气盒

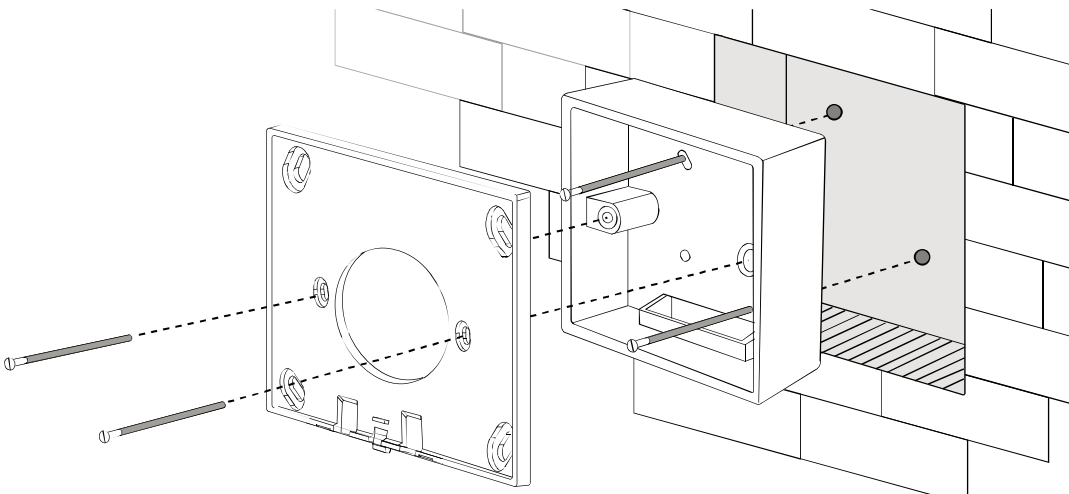


2. 如图所示用螺丝刀沿着后盖下方缺口的缝隙轻轻的撬开后盖



3. 将DALI信号线连接在玻璃面板背面上相应的端子

4. 如图所示，用螺钉将后盖嵌入电气盒内，以确保安装牢固



5. 将玻璃面板卡住后盖

