

# LTECH

## DALI touch panel



Manual

[www.ltech-led.com](http://www.ltech-led.com)

## Product Features

- Adopt latest DALI standard protocol IEC62386.
- Support switch and dimming function.
- Powered by DALI bus.
- Easy to set DALI address.
- Support scene, group, unicast, broadcast mode.

## Technical Specs

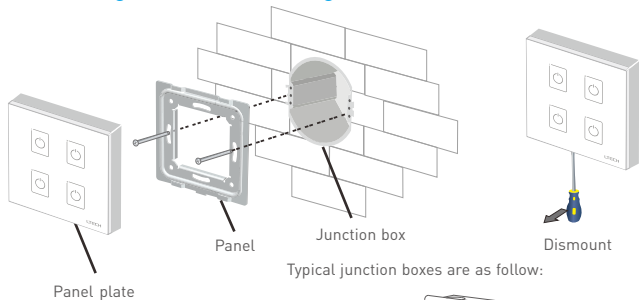
### DALI touch panel

---

Power Supply:	DALI power	Static Current:	6mA@16V
Output Signal:	DALI	Standby Current:	4mA@16V
Dimming Key:	EDA1: 1CH control	Working Temp:	-30°C~55°C
	EDA2: 2CH control	Dimensions(L×W×H):	86×86×37mm
	EDA3: 3CH control	Package Size(L×W×H):	113×112×50mm
	EDA4: 4CH control	Weight(G.W.):	200g

FC CE RoHS 

# Mounting & Dismounting Instructions



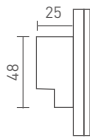
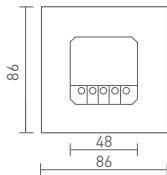
European Style



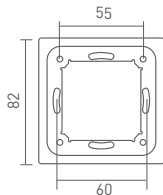
86 Type

## Product Size

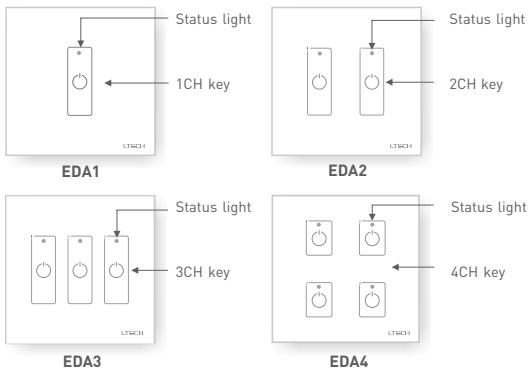
Unit: mm



3

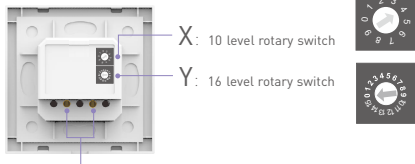


## Panel Key Description



\* Short press: switch; long press: dimming (suitable for unicast, broadcast and group mode).

## Terminals



Power and signal combination sockets

# DALI Address Settings

X= [0-6]: unicast mode; X= 7: group mode; X= 8: scene mode; X= 9: broadcast mode.

Via spin switch, you can set 64 unicast addresses(0-63), 16 group addresses(0-15), 16 scene addresses(0-15) and broadcast address.

## Unicast mode (address:0-63)



E.g.: Set initial address to 40 in unicast mode.



## Group mode (address:0-15)



E.g.: Set initial address to 5 in group mode.



## Scene mode (address:0-15)



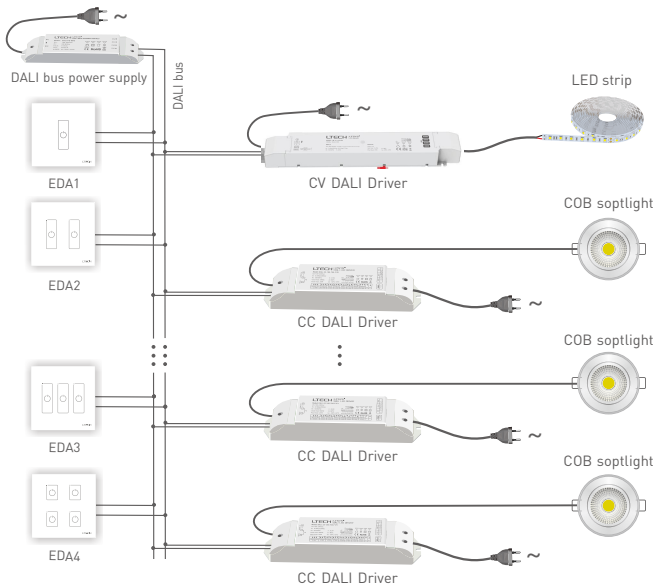
E.g.: Set initial address to 14 in scene mode.



## Broadcast mode



# Wiring Diagram



# Attentions

- This product must be installed and adjusted by a qualified professional.
  - This product is non-waterproof (special models excepted). Please avoid the sun and rain. When installed outdoors, please ensure it is mounted in a water proof enclosure.
  - Good heat dissipation will extend the life the product. Please install the product in a environment with good ventilation.
  - When you install this product, please avoid being near a large area of metal objects or stacking them to prevent signal interference.
  - Please keep the product away from a intense magnetic field, a high pressure area or a place where lightning is easy to occur.
  - Please check whether the working voltage used complies with the parameter requirements of the product.
  - Before you power on the product, please make sure all the wiring is correct in case of incorrect connection that may cause a short circuit and damage the components, or trigger a accident.
  - If a fault occurs, please do not attempt to fix the product by yourself. If you have any question, please contact the supplier.
- \* This manual is subject to changes without further notice. Product functions depend on the goods. Please feel free to contact our official distributors if you have any question.

# Warranty Agreement

Warranty periods from the date of delivery : 5 years.

Free repair or replacement services for quality problems are provided within warranty periods.

## **Warranty exclusions below:**

- Beyond warranty periods.
  - Any artificial damage caused by high voltage, overload, or improper operations.
  - Products with severe physical damage.
  - Damage caused by natural disasters and force majeure.
  - Warranty labels and barcodes have been damaged.
  - No any contract signed by LTECH.
1. Repair or replacement provided is the only remedy for customers. LTECH is not liable for any incidental or consequential damage unless it is within the law.
  2. LTECH has the right to amend or adjust the terms of this warranty, and release in written form shall prevail.

# LTECH



[www.ltech-led.com](http://www.ltech-led.com)